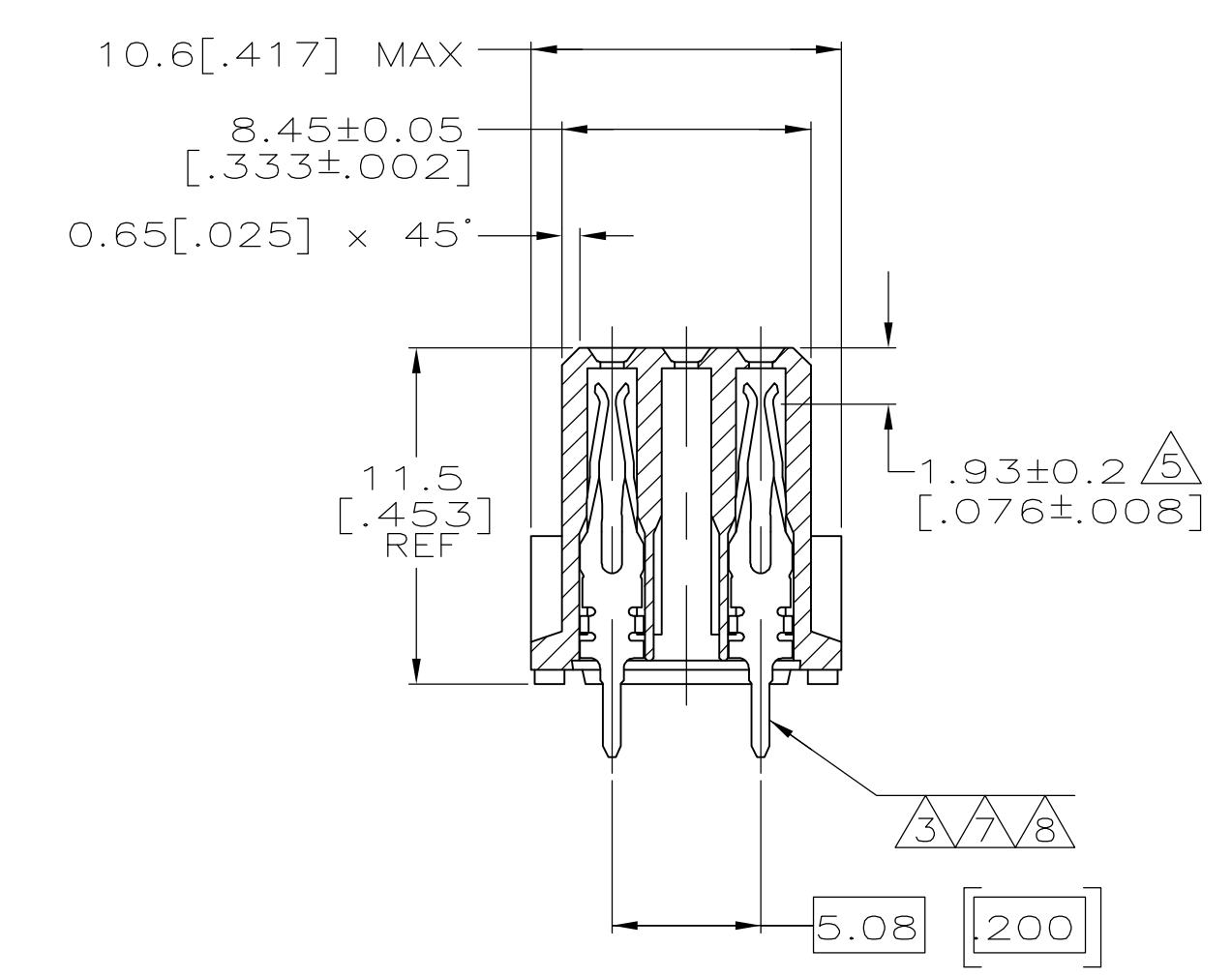


- ① HOUSING MATERIAL: GLASS-FILLED POLYESTER. COLOR: GRAY.
- ② CONTACT MATERIAL: PHOSPHOR BRONZE.
- ③ CONTACT FINISH: 0.00076[.000030] GOLD IN CONTACT AREA. 0.00127[.000050] NICKEL UNDERPLATE ALL OVER. TIN-LEAD ON POSTS.
- ④ PART NUMBER, DATE CODE IDENTIFICATION, CSA LOGO IN THIS APPROXIMATE AREA ON REVERSE SIDE.
- ⑤ POINT OF MEASUREMENT FOR GOLD.
- ⑥ RECOMMENDED HOLE SIZE FOR MANUAL APPLICATION OF CONNECTOR ONTO PC BOARD.
- ⑦ CONTACT FINISH: DIN 41612 CLASS 3 IN CONTACT AREA. TIN-LEAD ON POSTS.
- ⑧ CONTACT FINISH: DIN 41612 CLASS 2 IN CONTACT AREA. TIN-LEAD ON POSTS.



OBSELETE	①	1 THRU 32	X	-	X	64	650458-9
	②	1 THRU 32	X	-	X	64	650458-5
SUPERSEDED BY 650458-5	③	1 THRU 32	X	-	X	64	650458-4
NOTE		POSITIONS LOADED	C	B	A	NO. OF LOADED POSITION	ASSY PART NUMBER

THIS DRAWING IS A CONTROLLED DOCUMENT.

DIMENSIONS: mm [INCHES]	TOLERANCES UNLESS OTHERWISE SPECIFIED:	DIN L BRINER 3/15/90	tyco Electronics Tyco Electronics Corporation Harrisburg, PA 17105-3608
0 PLC ± -	1 PLC ± -	CHK N. DRASHER 3/22/90	NAME
2 PLC ± -	3 PLC ± 0.13 [.005]	APVD	EUROCARD, RECEPTACLE ASSEMBLY, TYPE C
4 PLC ± -	ANGLES ± -	PRODUCT SPEC	SIZE CASE CODE DRAWING NO RESTRICTED TO
MATERIAL	FINISH	APPLICATION SPEC	A1 00779 C=650458
		WEIGHT	CUSTOMER DRAWING SCALE 4:1 SHEET 1 OF 1 REV G